

# TV-Clip Mount

## Introduction

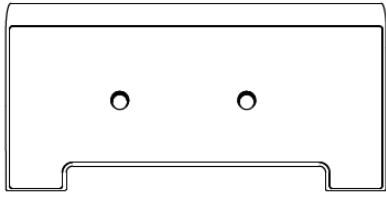
You can use the TV-Clip Mount to deploy devices on the top of TV.



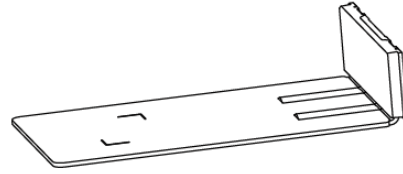
## Specification

Parameter	Description
Physical Features	Dimension (W*D*H): 150*73.8*178 mm Carton Meas: 435*328*310 mm N.W/CTN: 9.292kg G.W/CTN: 9.964kg

## Package Contents



M-1



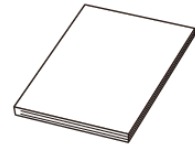
M-2



VESA Screwx2



Velcrox2  
(One Velcro is on the M-2)

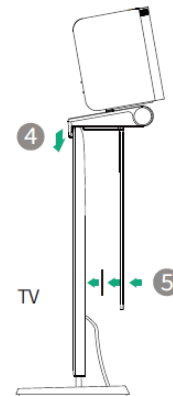
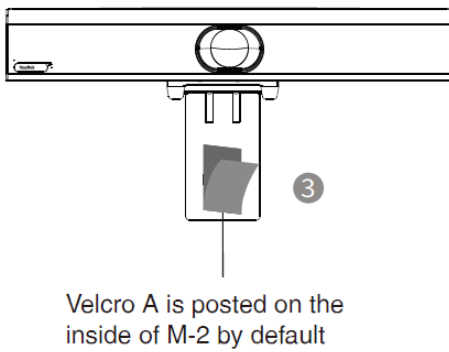
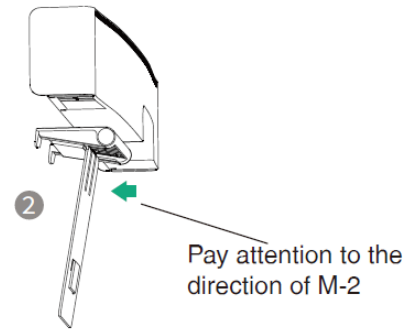
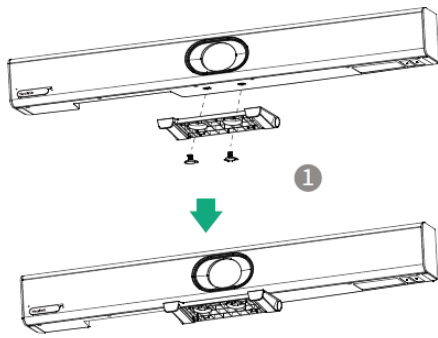


Quick Start Guide

### Assembling the TV Clip

**NOTE**

As the device is heavy, it is not recommended that it be used on skinny TVs to avoid the device falling or to crush the screen easily.



1. Use VESA screws to fix M-1 and MeetingBar A20.
2. Push the M-2 along the track of the M-1.
3. Remove one Velcro on the M-2.
4. Put the bracket on the top of the TV.
5. Stick another Velcro onto the back of the TV (Velcro is a one-time use, please clean the back of the TV before sticking), and make sure that the bracket and the back of the TV are tightly positioned against each other.

### Device Compatibility

Mounts Compatibility Lists please refer to [Mounts Compatibility Lists](#).